

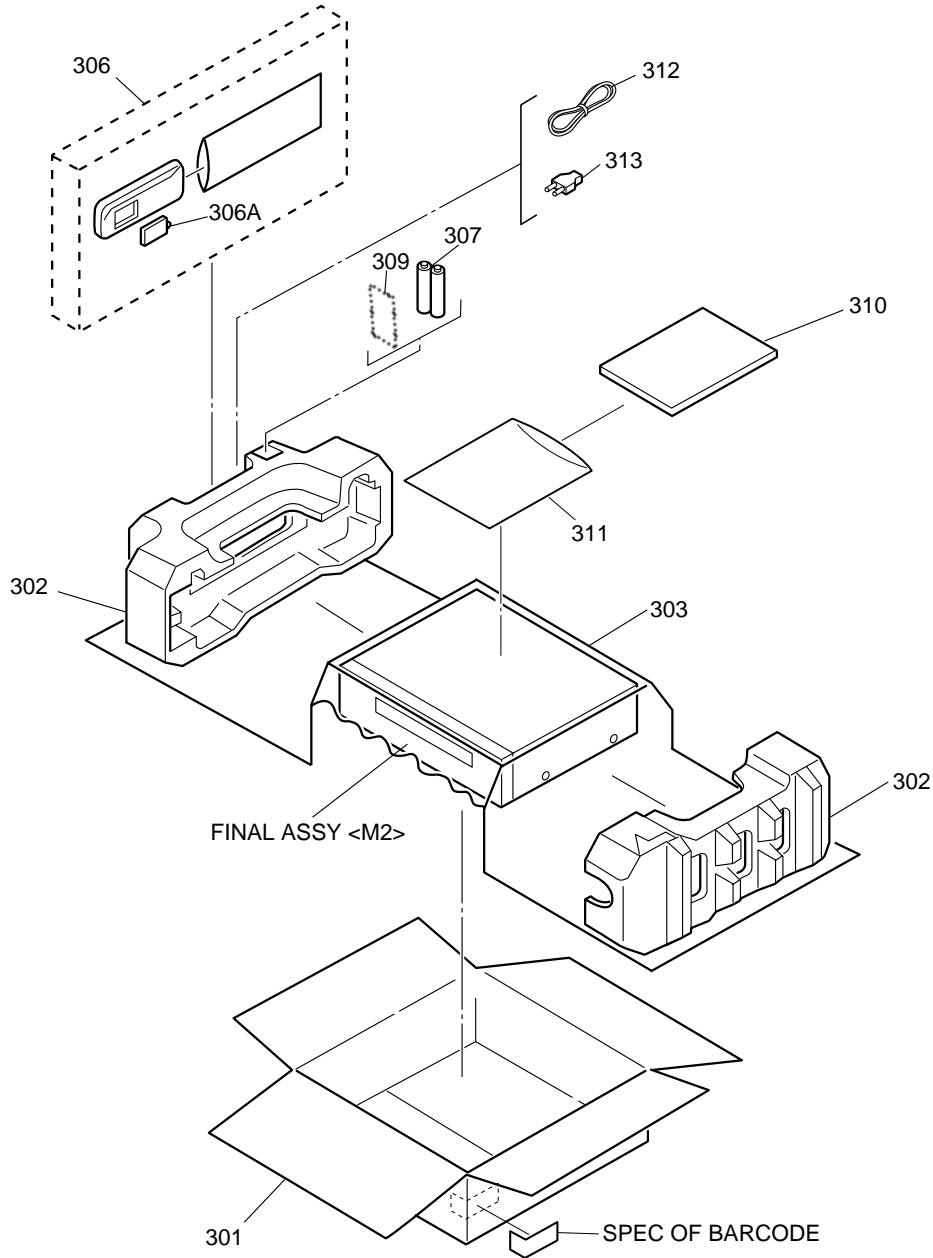
SECTION 5 PARTS LIST

SAFETY PRECAUTION

Parts identified by the \triangle symbol are critical for safety. Replace only with specified part numbers.

5.1 PACKING AND ACCESSORY ASSEMBLY <M1>

The instruction manual to be provided with this product will differ according to the destination.

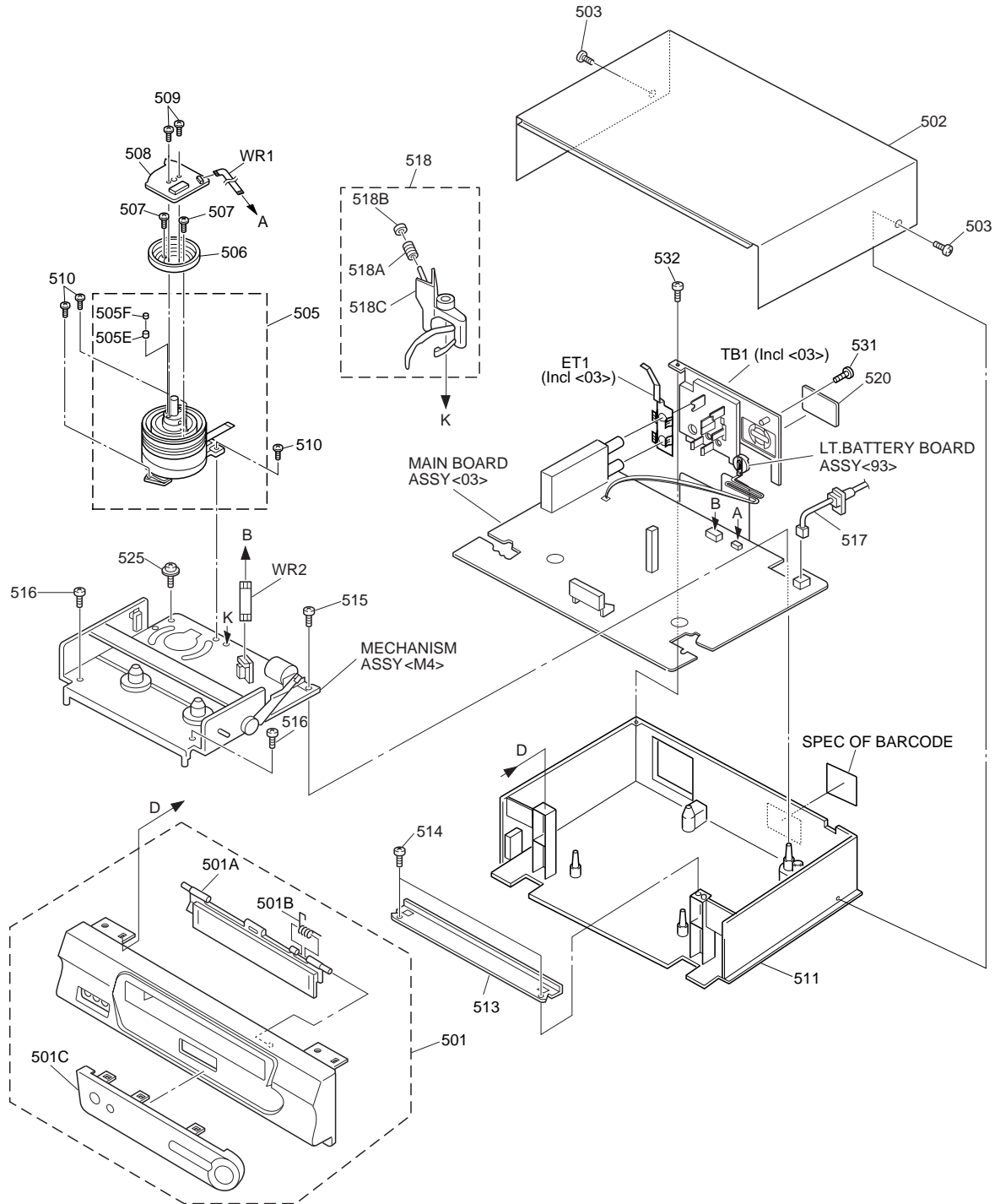


| # \triangle REF No. | PART No. | PART NAME, DESCRIPTION | # \triangle REF No. | PART No. | PART NAME, DESCRIPTION |
|--|--------------|--------------------------|-----------------------|--------------|------------------------|
| ***** | | | | | |
| PACKING AND ACCESSORY ASSEMBLY <M1> | | | | | |
| 301 | LP30994-001A | PACKING CASE | \triangle 309 | PECA0903 | LI BATTERY,CR2025 |
| 302 | LP30777-001C | CUSHION ASSY | \triangle 310 | LPT0592-001A | INST.BOOK(EN) |
| 303 | LP30904-002A | SHEET | \triangle | LPT0592-002A | INST.BOOK(FR),J387EM |
| 306 | LP20878-008B | REMOTE CONTROLLER | \triangle | LPT0592-003A | INST.BOOK(SP),J387EM |
| 306A | LP40610-002A | COVER(BATTERY) | \triangle | LPT0592-004A | INST.BOOK(RU),J381EM |
| 307 | - | BATTERY,X2,"R6/UM-3"TYPE | \triangle | LPT0592-005A | INST.BOOK(AR) |
| | | | 311 | QPC02503530P | POLY BAG |
| | | | 312 | PEAC0348-02 | RF CABLE |
| | | | \triangle 313 | PEMC1012 | CONVERSION PLUG |

5.2 FINAL ASSEMBLY <M2>

BEWARE OF BOGUS PARTS

Parts that do not meet specifications may cause trouble in regard to safety and performance. We recommend that genuine JVC parts be used.



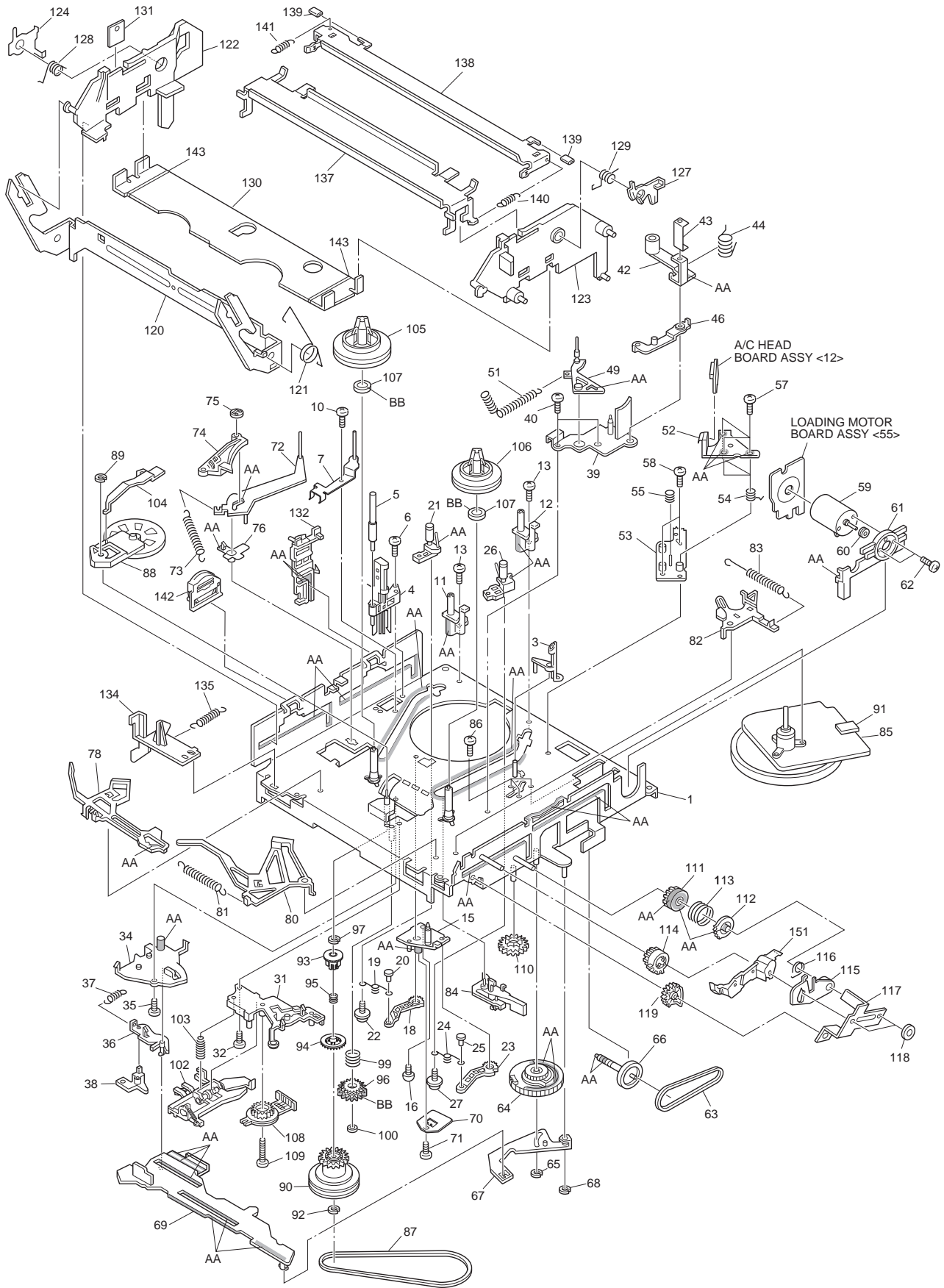
▲ REF No. PART No. PART NAME, DESCRIPTION

▲ REF No. PART No. PART NAME, DESCRIPTION

FINAL ASSEMBLY <M2>

| | | |
|-------|---------------|---------------------------|
| ▲ 501 | LP10348-015D | FRONT PANEL ASSY,J387EM |
| ▲ | LP10348-018D | FRONT PANEL ASSY,J381EM |
| 501A | LP20977-009B | CASSETTE DOOR |
| 501B | PQ46448 | TORSION SPRING |
| 501C | LP20976-015A | DISPLAY WINDOW,J387EM |
| | LP20976-018A | DISPLAY WINDOW,J381EM |
| ▲ 502 | LP10352-008A | TOP COVER |
| 503 | QYTDSF3010R | SCREW,X2, TOP COVER(SIDE) |
| 505 | LP20981-004A | DRUM SUB ASSY |
| 505E | LP40323-001A | CONTACT |
| 505F | LP30004-014A | COMPRESSION SPRING |
| 506 | PDZ0179-1-4 | ROTOR ASSY |
| 507 | QYSPSP3006Z | SCREW,X2,ROTOR |
| ▲ 508 | QAR0169-002 | STATOR ASSY |
| 509 | QYSPSPH2606Z | SCREW,X2,STATOR |
| 510 | QYTDST2610Z | SCREW,X3,DRUM |
| ▲ 511 | LP10350-005G | BOTTOM CHASSIS |
| 513 | LP30818-001A | BRACKET(CHASSIS) |
| 514 | QYTDSF3010Z | SCREW,X2,BRACKET |
| 515 | QYTDSF4012Z | SCREW,MECHA |
| 516 | QYTDSF3010Z | SCREW,X2,MECHA |
| ▲ 517 | QMP73J0-170 | POWER CORD |
| 518 | LP40369-001D | CLEANER ASSY |
| 518A | PQ46418-1-2 | CLEANER ROLLER |
| 518B | PQ46419-1-2 | CLEANER |
| 518C | LP30407-001D | CLEANER ARM |
| 520 | LP30336-001A | CAP,LT.BATTERY |
| 525 | PQ40413 | SPECIAL SCREW,MECHA |
| 531 | QYTDSF3010M | SCREW,REAR |
| 532 | QYTDSF3010Z | SCREW,TERMINAL BOARD |
| WR1 | QUQ212-0519CG | FFC WIRE,DRUM |
| WR2 | WJT0005-002A | E-CARD WIRE,A/C HEAD |

5.3 MECHANISM ASSEMBLY <M4>



| Classification | Part No. | Symbol in drawing |
|----------------|------------|-------------------|
| Grease | KYODO-SH-P | AA |
| Oil | COSMO-HV56 | BB |

NOTE:The section marked in **AA** and **BB** indicate lubrication and greasing areas.

| # | △ REF No. | PART No. | PART NAME, DESCRIPTION | # | △ REF No. | PART No. | PART NAME, DESCRIPTION |
|--------------------------------------|-----------|--------------|---------------------------|-----|-----------|--------------|---------------------------|
| ***** | | | | | | | |
| MECHANISM ASSEMBLY <M4> | | | | | | | |
| 1 | | LP20821-006A | MAIN DECK ASSY | 75 | | PQ46302-1-3 | ADJUST PIN |
| 3 | | LP30492-002B | GUIDE POLE GUARD | 76 | | LP30232-002A | TENSION ARM BEARING |
| 4 | | NAH0001-001 | FULL ERASE HEAD | 78 | | LP40532-008B | MAIN BRAKE ASSY (SUPPLY) |
| 5 | | LP40098-001B | GUIDE POLE(SUPPLY) | 80 | | LP40111-011A | MAIN BRAKE ASSY (TAKE UP) |
| 6 | | QYTDST2608Z | SCREW,FE HEAD | 81 | | LP30003-026A | TENSION SPRING |
| 7 | | LP40637-002A | TENSION STUD BASE ASSY | 82 | | LP40112-001F | SUB BRAKE ASSY(TAKE UP) |
| 10 | | QYTDST2606Z | SCREW | 83 | | LP40357-002A | TENSION SPRING |
| 11 | | LP30409-002C | UV CATCHER 2 (SUPPLY) | 84 | | LP40461-001A | CAPSTAN BRAKE ASSY |
| 12 | | LP30409-002C | UV CATCHER 2 (TAKE UP) | 85 | | QAR0087-005 | CAPSTAN MOTOR |
| 13 | | QYTPST2606Z | SCREW,X2 | 86 | | QYTDSF2606M | SCREW,X3 |
| 15 | | LP30223-003C | LOADING ARM GEAR SHAFT | 87 | | LP30005-007A | BELT,CAPSTAN MOTOR |
| 16 | | QYTDST2606Z | SCREW | 88 | | LP40114-012A | IDLER ARM ASSY |
| 18 | | LP30224-001B | LOADING ARM GEAR(SUPPLY) | 89 | | LP30016-001A | SLIT WASHER |
| 19 | | LP40099-001A | TORSION ARM | 90 | | LP40593-001A | CLUTCH UNIT 3 |
| 20 | | LP40100-001A | PIN | 91 | | LP30002-097A | SPACER,CAPSTAN MOTOR |
| 21 | | LP40101-006A | POLE BASE ASSY(SUPPLY) | 92 | | PQM30017-47 | SLIT WASHER |
| 22 | | QYSPSTG2606Z | SCREW | 93 | | LP30696-002A | CLUTCH GEAR 4 |
| 23 | | LP40103-002B | LOADING ARM GEAR(TAKE UP) | 94 | | LP30697-003A | COUPLING GEAR |
| 24 | | LP40099-001A | TORSION ARM | 95 | | LP40554-002A | COMPRESSION SPRING |
| 25 | | LP40100-002A | PIN | 96 | | LP40442-001A | DIRECT GEAR |
| 26 | | LP40104-006A | POLE BASE ASSY(TAKE UP) | 97 | | LP30017-019A | SPACER |
| 27 | | QYSPSTG2606Z | SCREW | 99 | | LP40483-002A | COMPRESSION SPRING |
| 31 | | LP20233-004B | ROTARY ENCODER GUIDE | 100 | | LP30016-001A | SLIT WASHER |
| 32 | | QYTPST2606Z | SCREW | 102 | | LP40484-001J | CHANGE LEVER ASSY |
| 34 | | LP30226-004E | CONTROL PLATE GUIDE | 103 | | LP40512-002B | COMPRESSION SPRING |
| 35 | | QYTPST2605Z | SCREW | 104 | | LP30236-002C | IDLER LEVER |
| 36 | | LP30249-003B | TAKE UP LEVER | 105 | | LP20237-001B | REEL DISK (SUPPLY) |
| 37 | | LP30003-006A | TENSION SPRING | 106 | | LP20238-001B | REEL DISK (TAKE UP) |
| 38 | | LP40119-002A | TAKE UP HEAD | 107 | | LP30017-015A | SPACER,X2 |
| 39 | | LP20234-004B | LID GUIDE | 108 | | QSW0554-003 | ROTARY ENCODER |
| 40 | | QYTDST2606Z | SCREW,X2 | 109 | | QYTPST2620Z | SCREW |
| 42 | | LP40105-003A | PINCH ROLLER ARM ASSY | 110 | | LP30237-002B | CASSETTE GEAR |
| 43 | | LP40753-001A | PINCH ROLLER SHEET3 | 111 | | LP30239-002G | LIMIT GEAR(1) |
| 44 | | LP40148-002A | TORSION SPRING | 112 | | LP30240-002G | LIMIT GEAR(2) |
| 46 | | LP40149-001C | PRESS LEVER ASSY | 113 | | LP40136-001E | TORSION SPRING |
| 49 | | LP40106-007A | GUIDE ARM ASSY | 114 | | LP30242-002A | RELAY GEAR |
| 51 | | LP40134-002A | TENSION SPRING | 115 | | LP30339-002E | OPENER GUIDE |
| 52 | | QAH0058-001 | AC HEAD | 116 | | LP40545-001A | TORSION SPRING |
| 53 | | LP30228-001C | HEAD BASE | 117 | | LP40214-001B | C.H.BRACKET |
| 54 | | LP30004-013A | COMPRESSION SPRING,X3 | 118 | | PQM30017-47 | SLIT WASHER,X2 |
| 55 | | LP40236-001A | COMPRESSION SPRING | 119 | | LP30243-002A | DRIVE GEAR |
| 57 | | LP40213-002B | SPECIAL SCREW,X3 | 120 | | LP20240-001G | DRIVE ARM |
| 58 | | QYTDST2608Z | SCREW,X2 | 121 | | LP40137-001A | TORSION SPRING |
| 59 | | QAR0023-001 | LOADING MOTOR | 122 | | LP10081-002L | SIDE HOLDER(L) |
| 60 | | PQ43546-1-2 | MOTOR PULLEY | 123 | | LP10082-002M | SIDE HOLDER(R) |
| 61 | | LP30230-003D | MOTOR GUIDE | 124 | | LP30255-006A | LOCK LEVER(L) |
| 62 | | QYTPSP3003Z | SCREW,X2 | 127 | | LP30256-001H | LOCK LEVER(R) |
| 63 | | LP30005-003A | BELT,LOADING MOTOR | 128 | | LP40168-003A | TORSION SPRING(L) |
| 64 | | LP20791-002D | CONTROL CAM | 129 | | LP40218-001B | TORSION SPRING(R) |
| 65 | | PQM30017-24 | SLIT WASHER | 130 | | LP30257-001G | CASSETTE HOLDER |
| 66 | | LP40120-001A | WORM GEAR | 131 | | LP40852-001A | EARTH PLATE |
| 67 | | LP40107-002A | LINK LEVER ASSY | 132 | | LP30244-002G | GUIDE RAIL |
| 68 | | PQM30017-24 | SLIT WASHER | 134 | | LP30245-002F | REC SAFETY LEVER |
| 69 | | LP10201-003G | CONTROL PLATE | 135 | | LP30003-004A | TENSION SPRING |
| 70 | | LP40379-001B | CONTROL BRACKET(1) | 137 | | LP20578-001C | TOP GUIDE |
| 71 | | QYTDSF2608M | SCREW | 138 | | LP30500-001C | HOLD PLATE |
| 72 | | LP40108-002A | TENSION ARM ASSY | 139 | | LP40450-003A | PAD,X2 |
| 73 | | LP30003-010A | TENSION SPRING | 140 | | LP30003-025B | TENSION SPRING |
| 74 | | LP40109-003D | TENSION BRAKE ASSY | 141 | | LP30003-024A | TENSION SPRING |
| | | | | 142 | | LP40481-003A | ROLLER CAM ASSY |
| | | | | 143 | | LP30019-014A | PAD,X2 |
| | | | | 151 | | LP20324-003B | DOOR OPENER |

5.4 ELECTRICAL PARTS LIST

| # | △ REF No. | PART No. | PART NAME, DESCRIPTION |
|---------------------------------------|-----------|--------------------|------------------------|
| ***** | | | |
| MAIN BOARD ASSEMBLY <03> | | | |
| PW1 | | LPA10130-21A1 | MAIN BOARD ASSY,J381EM |
| | | LPA10130-23A1 | MAIN BOARD ASSY,J387EM |
| IC1 | | JCP8021-MVD | IC |
| | | or JCP8021-MVD-2 | IC |
| | | or JCP8051-MVA | IC |
| IC301 | | LA7358 | IC,J387EM |
| IC3001 | | MN101D06GJA | IC |
| | | or MN101DF06KAFJA | IC |
| IC3002 | | BA6956AN | IC |
| IC3003 | | S-80825ANNP-W | IC |
| | | or IC-PST3425U-X | IC |
| IC3004 | | S-24C04BFJ-X | IC |
| | | or BR24C04F-W-X | IC |
| | | or AT24C04N-10SC-X | IC |
| | | or X24C04S | IC |
| | | or 24LC04B/SN-X | IC |
| IC5301 | | L5431 | IC |
| | | or MM1431AT | IC |
| | | or UTCTL431 | IC |
| IC7042 | | GP1U291Q | IR DETECT UNIT |
| | | or PIC-28143LJ | IR DETECT UNIT |
| | | or PNA4652M00YC | IR DETECT UNIT |
| | | or PIC-37143LJ | IR DETECT UNIT |
| Q12 | | 2SA1576A/QR/-X | TRANSISTOR |
| | | or 2SB1218A/QR/-X | TRANSISTOR |
| | | or 2PA1576/R/-X | TRANSISTOR |
| Q21 | | 2SA1576A/QR/-X | TRANSISTOR,J387EM |
| | | or 2PA1576/R/-X | TRANSISTOR,J387EM |
| | | or 2SB1218A/QR/-X | TRANSISTOR,J387EM |
| Q22 | | 2SC4081/QRS/-X | TRANSISTOR |
| | | or 2PC4081/R/-X | TRANSISTOR |
| Q34 | | 2SA1576A/QR/-X | TRANSISTOR,J387EM |
| | | or 2PA1576/R/-X | TRANSISTOR,J387EM |
| | | or 2SB1218A/QR/-X | TRANSISTOR,J387EM |
| Q38 | | 2SC4081/QRS/-X | TRANSISTOR |
| | | or 2PC4081/R/-X | TRANSISTOR |
| | | or 2SD1819A/QRS/-X | TRANSISTOR |
| Q41 | | DTC144WU | TRANSISTOR |
| | | or PDTC144WU | TRANSISTOR |
| | | or RN1309 | TRANSISTOR |
| | | or UN521E | TRANSISTOR |
| Q202 | | 2SC4081/QRS/-X | TRANSISTOR |
| | | or 2PC4081/R/-X | TRANSISTOR |
| Q301 | | 2SA1576A/QR/-X | TRANSISTOR |
| | | or 2PA1576/R/-X | TRANSISTOR |
| Q302 | | DTA144WU | TRANSISTOR,J387EM |
| | | or PDTA144WU | TRANSISTOR,J387EM |
| | | or RN2309 | TRANSISTOR,J387EM |
| | | or UN511E | TRANSISTOR,J387EM |
| Q901 | | 2SA1576A/QRS/-X | TRANSISTOR |
| | | or 2PA1576/R/-X | TRANSISTOR |
| Q2001 | | 2SC4081/QRS/-X | TRANSISTOR |
| | | or 2PC4081/R/-X | TRANSISTOR |
| | | or 2SD1819A/QRS/-X | TRANSISTOR |
| Q2002 | | 2SC4081/QRS/-X | TRANSISTOR |
| | | or 2SD1819A/QRS/-X | TRANSISTOR |
| | | or 2PC4081/R/-X | TRANSISTOR |

| # | △ REF No. | PART No. | PART NAME, DESCRIPTION |
|-------|-----------|--------------------|------------------------|
| Q2003 | | DTA144WU | TRANSISTOR |
| | | or PDTA144WU | TRANSISTOR |
| | | or RN2309 | TRANSISTOR |
| | | or UN511E | TRANSISTOR |
| Q2051 | | 2SC4081/QRS/-X | TRANSISTOR |
| | | or 2PC4081/R/-X | TRANSISTOR |
| | | or 2SD1819A/QRS/-X | TRANSISTOR |
| Q2052 | | 2SA1576A/QR/-X | TRANSISTOR |
| | | or 2SB1218A/QR/-X | TRANSISTOR |
| | | or 2PA1576/R/-X | TRANSISTOR |
| Q2053 | | DTC144WU | TRANSISTOR |
| | | or PDTC144WU | TRANSISTOR |
| | | or RN1309 | TRANSISTOR |
| | | or UN521E | TRANSISTOR |
| Q2054 | | 2SA1576A/QR/-X | TRANSISTOR |
| | | or 2SB1218A/QR/-X | TRANSISTOR |
| | | or 2PA1576/R/-X | TRANSISTOR |
| Q2055 | | DTC144WU | TRANSISTOR |
| | | or PDTC144WU | TRANSISTOR |
| | | or RN1309 | TRANSISTOR |
| | | or UN521E | TRANSISTOR |
| Q3002 | | PTZ-NV16A | PHOTO TRANSISTOR |
| Q3004 | | 2SD1819A/QRS/-X | TRANSISTOR |
| | | or 2PC4081/R/-X | TRANSISTOR |
| | | or 2SC4081/QRS/-X | TRANSISTOR |
| Q4001 | | UN5211 | TRANSISTOR |
| | | or RN1302 | TRANSISTOR |
| | | or DTC114EU | TRANSISTOR |
| | | or PDTC114EU | TRANSISTOR |
| Q4002 | | 2SD1819A/QRS/-X | TRANSISTOR |
| | | or 2PC4081/R/-X | TRANSISTOR |
| | | or 2SC4081/QRS/-X | TRANSISTOR |
| Q5101 | | 2SK2632-CB14 | POWER MOS FET |
| | | or 2SK2129-LT | POWER MOS FET |
| | | or 2SK2129 | POWER MOS FET |
| | | or 2SK2632 | POWER MOS FET |
| Q5102 | | 2SD2144S/UV/-T | TRANSISTOR |
| Q5303 | | 2SD1819A/RS/-X | TRANSISTOR |
| | | or 2PC4081/R/-X | TRANSISTOR |
| | | or 2SC4081/RS/-X | TRANSISTOR |
| Q5304 | | 2SD2144S/UV/-T | TRANSISTOR |
| Q5305 | | DTA114EU | TRANSISTOR |
| | | or PDTA114EU | TRANSISTOR |
| | | or RN2302 | TRANSISTOR |
| | | or UN5111 | TRANSISTOR |
| Q5306 | | DTC114EU | TRANSISTOR |
| | | or PDTC114EU | TRANSISTOR |
| | | or UN5211 | TRANSISTOR |
| | | or RN1302 | TRANSISTOR |
| Q5321 | | 2SC3616/ML/-T | TRANSISTOR |
| Q6030 | | 2SB1218A/QR/-X | TRANSISTOR |
| | | or 2PA1576/R/-X | TRANSISTOR |
| | | or 2SA1576A/QR/-X | TRANSISTOR |
| Q7001 | | DTA143TU | TRANSISTOR |
| Q7002 | | DTA143TU | TRANSISTOR |
| Q7003 | | DTA143TU | TRANSISTOR |
| Q7004 | | DTA143TU | TRANSISTOR |
| Q7005 | | DTA143TU | TRANSISTOR |
| Q7006 | | DTC143TU | TRANSISTOR |
| Q7007 | | DTC143TU | TRANSISTOR |
| Q7008 | | DTC143TU | TRANSISTOR |

| # | △ | REF No. | PART No. | PART NAME, DESCRIPTION | # | △ | REF No. | PART No. | PART NAME, DESCRIPTION | | |
|---|---|---------|----------|------------------------|--------------------|---|---------|----------|------------------------|--------------------|-------------|
| | | | Q7009 | DTC143TU | TRANSISTOR | | | R2 | NRSA63J-152X | MG RESISTOR | 1.5kΩ,1/16W |
| | | | Q7010 | DTC143TU | TRANSISTOR | | | R3 | NRSA63J-822X | MG RESISTOR | 8.2kΩ,1/16W |
| | | | Q7011 | DTC143TU | TRANSISTOR | | | R6 | NRSA63J-273X | MG RESISTOR | 27kΩ,1/16W |
| | | | Q7012 | DTC143TU | TRANSISTOR | | | R7 | NRSA63J-681X | MG RESISTOR | 680Ω,1/16W |
| | | | D3001 | LNB2301L01VI | LE DIODE | | | R8 | NRSA63J-102X | MG RESISTOR | 1kΩ,1/16W |
| | | | D3002 | 1SS133 | DIODE | | | R9 | NRSA63J-0R0X | MG RESISTOR | 0Ω,1/16W |
| | | | | or 1SS270A | DIODE | | | R12 | QUY153-050Y | IM BUS WIRE | |
| | | | D3004 | 11ES2 | DIODE | | | R24 | NRSA63J-0R0X | MG RESISTOR,J387EM | 0Ω,1/16W |
| | | | | or 1A3G | DIODE | | | R37 | NRSA63J-0R0X | MG RESISTOR | 0Ω,1/16W |
| | | | D3005 | 11ES2 | DIODE | | | R42 | NRSA63J-681X | MG RESISTOR | 680Ω,1/16W |
| | | | | or 1A3G | DIODE | | | R44 | NRSA63J-822X | MG RESISTOR | 8.2kΩ,1/16W |
| | | | D3006 | RD33ES/B2/-T2 | ZENER DIODE | | | R45 | NRSA63J-103X | MG RESISTOR | 10kΩ,1/16W |
| | | | | or MTZJ33B | ZENER DIODE | | | R46 | NRSA02J-331X | MG RESISTOR | 330Ω,1/10W |
| | △ | | D3008 | RB721Q-40-T2 | SB DIODE | | | R47 | NRSA63J-821X | MG RESISTOR,J387EM | 820Ω,1/16W |
| | | | D3017 | QUY153-050Y | IM BUS WIRE,J387EM | | | R48 | NRSA63J-102X | MG RESISTOR,J387EM | 1kΩ,1/16W |
| | | | D5001 | S1WB/A/60-4102 | BRIDGE DIODE | | | R49 | NRSA63J-561X | MG RESISTOR | 560Ω,1/16W |
| | | | | or S1WB(A)60F4072X | BRIDGE DIODE | | | R71 | NRSA02J-0R0X | MG RESISTOR | 0Ω,1/10W |
| | | | | or S1WB/A/60-X | BRIDGE DIODE | | | R72 | NRSA63J-333X | MG RESISTOR,J387EM | 33kΩ,1/16W |
| | | | D5101 | AU01 | FR DIODE | | | R73 | NRSA63J-682X | MG RESISTOR,J387EM | 6.8kΩ,1/16W |
| | | | | or ERA18-04-T2 | FR DIODE | | | R77 | NRSA63J-103X | MG RESISTOR | 10kΩ,1/16W |
| | | | | or 1SR153-400-T2 | FR DIODE | | | R90 | NRSA63J-391X | MG RESISTOR | 390Ω,1/16W |
| | | | | or 10ELS4 | FR DIODE | | | R92 | NRSA63J-152X | MG RESISTOR | 1.5kΩ,1/16W |
| | | | D5102 | AU01 | FR DIODE | | | R93 | NRSA63J-222X | MG RESISTOR | 2.2kΩ,1/16W |
| | | | | or ERA18-04-T2 | FR DIODE | | | R104 | NRSA63J-682X | MG RESISTOR | 6.8kΩ,1/16W |
| | | | | or 1SR153-400-T2 | FR DIODE | | | R118 | NRSA63J-0R0X | MG RESISTOR | 0Ω,1/16W |
| | | | | or 10ELS4 | FR DIODE | | | R201 | NRSA02J-332X | MG RESISTOR | 3.3kΩ,1/10W |
| | | | D5103 | 1SS133 | DIODE | | | R202 | NRSA02J-222X | MG RESISTOR | 2.2kΩ,1/10W |
| | | | | or 1SS270A | DIODE | | | R203 | NRSA02J-101X | MG RESISTOR | 100Ω,1/10W |
| | | | D5105 | 1SS133 | DIODE | | | R204 | NRSA02J-101X | MG RESISTOR | 100Ω,1/10W |
| | | | | or 1SS270A | DIODE | | | R210 | QRE141J-332Y | RESISTOR | 3.3kΩ,1/4W |
| | | | D5203 | AU01Z | FR DIODE | | | R211 | NRSA63J-0R0X | MG RESISTOR | 0Ω,1/16W |
| | | | | or ERA18-02-T2 | FR DIODE | | | R301 | NRSA63J-273X | MG RESISTOR,J387EM | 27kΩ,1/16W |
| | | | | or 1SR153-400-T2 | FR DIODE | | | R302 | NRSA63J-124X | MG RESISTOR,J387EM | 120kΩ,1/16W |
| | | | | or 10ELS2 | FR DIODE | | | R303 | NRSA63J-273X | MG RESISTOR,J387EM | 27kΩ,1/16W |
| | | | | or PG104RS | FR DIODE | | | R304 | NRSA63J-682X | MG RESISTOR,J387EM | 6.8kΩ,1/16W |
| | | | D5204 | AU01Z | FR DIODE | | | R305 | NRSA63J-473X | MG RESISTOR,J387EM | 47kΩ,1/16W |
| | | | | or ERA18-02-T2 | FR DIODE | | | R306 | NRSA63J-273X | MG RESISTOR,J387EM | 27kΩ,1/16W |
| | | | | or 10ELS2 | FR DIODE | | | R307 | NRSA63J-222X | MG RESISTOR,J387EM | 2.2kΩ,1/16W |
| | | | | or 1SR153-400-T2 | FR DIODE | | | R308 | NRSA63J-222X | MG RESISTOR,J387EM | 2.2kΩ,1/16W |
| | | | | or PG104RS | FR DIODE | | | R309 | NRSA63J-821X | MG RESISTOR,J387EM | 820Ω,1/16W |
| | | | D5207 | AK04 | DIODE | | | R310 | NRSA63J-223X | MG RESISTOR,J387EM | 22kΩ,1/16W |
| | | | | or 11EQS04 | SB DIODE | | | R311 | NRSA63J-392X | MG RESISTOR,J387EM | 3.9kΩ,1/16W |
| | | | D5210 | AU01Z | FR DIODE | | | R312 | NRSA63J-272X | MG RESISTOR,J387EM | 2.7kΩ,1/16W |
| | | | | or ERA18-02-T2 | FR DIODE | | | R313 | NRSA63J-223X | MG RESISTOR,J387EM | 22kΩ,1/16W |
| | | | | or PG104RS | FR DIODE | | | R314 | NRSA63D-243X | MG RESISTOR,J387EM | 24kΩ,1/16W |
| | | | | or 10ELS2 | FR DIODE | | | R315 | NRSA63J-564X | MG RESISTOR,J387EM | 560kΩ,1/16W |
| | | | | or 1SR153-400-T2 | FR DIODE | | | R316 | NRSA63J-224X | MG RESISTOR,J387EM | 220kΩ,1/16W |
| | | | D5301 | MTZJ15C | ZENER DIODE | | | R329 | NRSA63J-0R0X | MG RESISTOR,J387EM | 0Ω,1/16W |
| | | | | or RD15ES/B3/-T2 | ZENER DIODE | | | R901 | NRSA02J-750X | MG RESISTOR | 75Ω,1/10W |
| | | | D5302 | QUY153-050Y | IM BUS WIRE | | | R904 | QRE123J-331X | RESISTOR | 330Ω,1/2W |
| | | | D5303 | RD5.1JS/B2/-T2 | ZENER DIODE | | | R905 | NRSA02J-101X | MG RESISTOR | 100Ω,1/10W |
| | | | | or MA4051N/M/-T2 | ZENER DIODE | | | R911 | NRSA02J-750X | MG RESISTOR | 75Ω,1/10W |
| | | | D5304 | 1SS133 | DIODE | | | R2001 | NRSA02J-101X | MG RESISTOR | 100Ω,1/10W |
| | | | | or 1SS270A | DIODE | | | R2003 | NRSA02J-101X | MG RESISTOR | 100Ω,1/10W |
| | | | D5305 | 11ES2 | DIODE | | | R2004 | NRSA02J-472X | MG RESISTOR | 4.7kΩ,1/10W |
| | | | | or 1A3G | DIODE | | | R2005 | NRSA02J-153X | MG RESISTOR | 15kΩ,1/10W |
| | | | | or ERA15-02-T2 | DIODE | | | R2007 | NRSA02J-473X | MG RESISTOR | 47kΩ,1/10W |
| | | | D5307 | QUY160-100Y | IM BUS WIRE | | | R2008 | NRSA02J-103X | MG RESISTOR | 10kΩ,1/10W |
| | | | D5316 | QUY160-100Y | IM BUS WIRE | | | R2010 | NRSA02J-562X | MG RESISTOR | 5.6kΩ,1/10W |
| | | | D6002 | HZ30-2L-T2 | ZENER DIODE | | | R2013 | NRSA63J-682X | MG RESISTOR | 6.8kΩ,1/16W |
| | | | R1 | NRSA63J-682X | MG RESISTOR | | | R2014 | NRSA63J-224X | MG RESISTOR | 220kΩ,1/16W |
| | | | | | | | | | | | 6.8kΩ,1/16W |

| # | △ REF No. | PART No. | PART NAME, DESCRIPTION | # | △ REF No. | PART No. | PART NAME, DESCRIPTION | |
|---------|-----------|--------------|------------------------|-------------|-----------|--------------|------------------------|-------------|
| R2015 | | NRSA63J-181X | MG RESISTOR | 180Ω,1/16W | R4018 | NRSA02J-103X | MG RESISTOR | 10kΩ,1/10W |
| R2016 | | NRSA63J-473X | MG RESISTOR | 47kΩ,1/16W | R4019 | NRSA02J-102X | MG RESISTOR | 1kΩ,1/10W |
| R2017 | | NRSA63J-153X | MG RESISTOR | 15kΩ,1/16W | R4020 | NRSA02J-102X | MG RESISTOR | 1kΩ,1/10W |
| R2018 | | NRSA63J-472X | MG RESISTOR | 4.7kΩ,1/16W | R4021 | NRSA02J-103X | MG RESISTOR | 10kΩ,1/10W |
| R2019 | | NRSA63J-472X | MG RESISTOR | 4.7kΩ,1/16W | R4024 | QRE141J-103Y | RESISTOR | 10kΩ,1/4W |
| R2024 | | NRSA63J-332X | MG RESISTOR | 3.3kΩ,1/16W | R5101 | QRE141J-224Y | RESISTOR | 220kΩ,1/4W |
| R2053 | | NRSA63J-392X | MG RESISTOR | 3.9kΩ,1/16W | R5102 | QRE141J-224Y | RESISTOR | 220kΩ,1/4W |
| R2054 | | NRSA02J-123X | MG RESISTOR | 12kΩ,1/10W | R5103 | QRE141J-683Y | RESISTOR | 68kΩ,1/4W |
| R2055 | | NRSA02J-3R3X | MG RESISTOR | 3.3Ω,1/10W | R5104 | QRG02GJ-683 | OMF RESISTOR | 68kΩ,2W |
| R2056 | | NRSA02J-820X | MG RESISTOR | 82Ω,1/10W | R5106 | QRT01DJ-R39X | MF RESISTOR | 0.39Ω,1W |
| R2057 | | NRSA02J-473X | MG RESISTOR | 47kΩ,1/10W | R5107 | QRE121J-331Y | RESISTOR | 330Ω,1/2W |
| R2058 | | NRSA02J-183X | MG RESISTOR | 18kΩ,1/10W | R5108 | NRSA02J-122X | MG RESISTOR | 1.2kΩ,1/10W |
| R2059 | | NRSA02J-473X | MG RESISTOR | 47kΩ,1/10W | R5109 | QRE141J-681Y | RESISTOR | 680Ω,1/4W |
| R2060 | | NRSA02J-183X | MG RESISTOR | 18kΩ,1/10W | R5110 | NRSA02J-224X | MG RESISTOR | 220kΩ,1/10W |
| R3001 | | NRSA02J-0R0X | MG RESISTOR | 0Ω,1/10W | R5111 | NRSA02J-821X | MG RESISTOR | 820Ω,1/10W |
| R3017 | | NRSA02J-102X | MG RESISTOR | 1kΩ,1/10W | R5112 | NRSA02J-221X | MG RESISTOR | 220Ω,1/10W |
| R3018 | | NRSA02J-102X | MG RESISTOR | 1kΩ,1/10W | R5301 | NRSA02J-472X | MG RESISTOR | 4.7kΩ,1/10W |
| R3021 | | QUY160-100Y | IM BUS WIRE | | R5302 | NRSA02J-102X | MG RESISTOR | 1kΩ,1/10W |
| R3027 | | QUY160-100Y | IM BUS WIRE | | R5303 | NRSA02J-122X | MG RESISTOR | 1.2kΩ,1/10W |
| R3028 | | NRSA63J-102X | MG RESISTOR | 1kΩ,1/16W | R5304 | NRSA02J-471X | MG RESISTOR | 470Ω,1/10W |
| R3042 | | NRSA02J-0R0X | MG RESISTOR | 0Ω,1/10W | R5305 | NRSA02J-102X | MG RESISTOR | 1kΩ,1/10W |
| R3057 | | NRSA02J-102X | MG RESISTOR | 1kΩ,1/10W | R5306 | NRSA02J-471X | MG RESISTOR | 470Ω,1/10W |
| R3060 | | NRSA02J-0R0X | MG RESISTOR | 0Ω,1/10W | R5308 | NRSA02J-471X | MG RESISTOR | 470Ω,1/10W |
| R3090 | | NRSA02J-102X | MG RESISTOR | 1kΩ,1/10W | R5309 | NRSA02J-103X | MG RESISTOR | 10kΩ,1/10W |
| R3116 | | NRSA02J-103X | MG RESISTOR | 10kΩ,1/10W | R5310 | NRSA02J-471X | MG RESISTOR | 470Ω,1/10W |
| R3117 | | NRSA02J-103X | MG RESISTOR | 10kΩ,1/10W | R5311 | NRSA02J-473X | MG RESISTOR | 47kΩ,1/10W |
| R3201 | | NRSA02J-332X | MG RESISTOR | 3.3kΩ,1/10W | R5312 | NRVA02D-332X | CMF RESISTOR | 3.3kΩ,1/10W |
| R3206 | | NRSA02J-103X | MG RESISTOR | 10kΩ,1/10W | R5313 | NRVA02D-362X | CMF RESISTOR | 3.6kΩ,1/10W |
| R3207 | | NRSA02J-103X | MG RESISTOR | 10kΩ,1/10W | R5314 | NRSA02J-332X | MG RESISTOR | 3.3kΩ,1/10W |
| R3208 | | NRSA02J-103X | MG RESISTOR | 10kΩ,1/10W | R5316 | NRVA02D-822X | CMF RESISTOR | 8.2kΩ,1/10W |
| R3209 | | QRE141J-181Y | RESISTOR | 180Ω,1/4W | R5332 | QRE141J-222Y | RESISTOR | 2.2kΩ,1/4W |
| R3211 | | NRSA02J-183X | MG RESISTOR | 18kΩ,1/10W | R5333 | QRL02DJ-391X | OMF RESISTOR | 390Ω,2W |
| R3212 | | NRSA02J-181X | MG RESISTOR | 180Ω,1/10W | R5334 | QRL02DJ-391X | OMF RESISTOR | 390Ω,2W |
| R3213 | | QRE141J-273Y | RESISTOR | 27kΩ,1/4W | R6020 | NRSA02J-102X | MG RESISTOR | 1kΩ,1/10W |
| R3214 | | NRSA02J-181X | MG RESISTOR | 180Ω,1/10W | R6021 | NRSA02J-102X | MG RESISTOR | 1kΩ,1/10W |
| R3215 | | NRSA02J-273X | MG RESISTOR | 27kΩ,1/10W | R6023 | NRSA02J-0R0X | MG RESISTOR | 0Ω,1/10W |
| R3216 | | NRSA02J-474X | MG RESISTOR | 470kΩ,1/10W | R6030 | NRSA02J-102X | MG RESISTOR | 1kΩ,1/10W |
| R3217 | | NRSA02J-334X | MG RESISTOR | 330kΩ,1/10W | R6031 | QRE141J-271Y | RESISTOR | 270Ω,1/4W |
| R3218 | | NRSA02J-562X | MG RESISTOR | 5.6kΩ,1/10W | R6032 | NRSA02J-822X | MG RESISTOR | 8.2kΩ,1/10W |
| R3219 | | QRE141J-103Y | RESISTOR | 10kΩ,1/4W | R6050 | QUY160-100Y | IM BUS WIRE | |
| R3220 | | NRSA02J-103X | MG RESISTOR | 10kΩ,1/10W | R6051 | NRSA02J-101X | MG RESISTOR | 100Ω,1/10W |
| R3222 | | NRSA02J-472X | MG RESISTOR | 4.7kΩ,1/10W | R6052 | NRSA02J-101X | MG RESISTOR | 100Ω,1/10W |
| R3223 | | NRSA63J-105X | MG RESISTOR | 1MΩ,1/16W | R7001 | QRE141J-331Y | RESISTOR | 330Ω,1/4W |
| R3224 | | NRSA63J-101X | MG RESISTOR | 100Ω,1/16W | R7002 | NRSA02J-331X | MG RESISTOR | 330Ω,1/10W |
| R3226 | | NRSA02J-103X | MG RESISTOR | 10kΩ,1/10W | R7003 | NRSA02J-331X | MG RESISTOR | 330Ω,1/10W |
| R3227 | | NRSA02J-103X | MG RESISTOR | 10kΩ,1/10W | R7004 | NRSA02J-331X | MG RESISTOR | 330Ω,1/10W |
| R3232 | | QRE141J-104Y | RESISTOR | 100kΩ,1/4W | R7005 | NRSA63J-331X | MG RESISTOR | 330Ω,1/16W |
| R3233 | | NRSA02J-472X | MG RESISTOR | 4.7kΩ,1/10W | R7006 | NRSA02J-331X | MG RESISTOR | 330Ω,1/10W |
| R3234 | | NRSA02J-472X | MG RESISTOR | 4.7kΩ,1/10W | R7007 | NRSA63J-331X | MG RESISTOR | 330Ω,1/16W |
| △ R3235 | | NRSA02J-102X | MG RESISTOR | 1kΩ,1/10W | R7020 | NRSA02J-103X | MG RESISTOR | 10kΩ,1/10W |
| R3237 | | NRSA02J-472X | MG RESISTOR | 4.7kΩ,1/10W | R7021 | NRSA02J-122X | MG RESISTOR | 1.2kΩ,1/10W |
| R3238 | | NRSA02J-472X | MG RESISTOR | 4.7kΩ,1/10W | R7022 | NRSA02J-182X | MG RESISTOR | 1.8kΩ,1/10W |
| R4001 | | QRE141J-222Y | RESISTOR | 2.2kΩ,1/4W | R7023 | NRSA02J-222X | MG RESISTOR | 2.2kΩ,1/10W |
| R4002 | | QRE141J-562Y | RESISTOR | 5.6kΩ,1/4W | R7024 | NRSA02J-272X | MG RESISTOR | 2.7kΩ,1/10W |
| R4003 | | NRSA02J-222X | MG RESISTOR | 2.2kΩ,1/10W | R7030 | NRSA02J-103X | MG RESISTOR | 10kΩ,1/10W |
| R4004 | | QUY160-100Y | IM BUS WIRE | | R7031 | NRSA02J-122X | MG RESISTOR | 1.2kΩ,1/10W |
| R4006 | | NRSA02J-472X | MG RESISTOR | 4.7kΩ,1/10W | R7032 | NRSA02J-182X | MG RESISTOR | 1.8kΩ,1/10W |
| R4010 | | NRSA02J-471X | MG RESISTOR | 470Ω,1/10W | R7033 | NRSA02J-222X | MG RESISTOR | 2.2kΩ,1/10W |
| R4011 | | NRSA02J-471X | MG RESISTOR | 470Ω,1/10W | R7034 | NRSA02J-272X | MG RESISTOR | 2.7kΩ,1/10W |
| R4012 | | NRSA02J-153X | MG RESISTOR | 15kΩ,1/10W | R7035 | NRSA02J-472X | MG RESISTOR | 4.7kΩ,1/10W |
| R4013 | | NRSA02J-102X | MG RESISTOR | 1kΩ,1/10W | R7036 | NRSA02J-682X | MG RESISTOR | 6.8kΩ,1/10W |

| # | △ | REF No. | PART No. | PART NAME, DESCRIPTION | | # | △ | REF No. | PART No. | PART NAME, DESCRIPTION | |
|-------|---|---------|--------------|------------------------|-------------|-------|---|---------|--------------|------------------------|--------------|
| R7037 | | | NRSA02J-563X | MG RESISTOR | 56kΩ,1/10W | C109 | | | NCB31AK-224X | CAPACITOR | 0.22μF,10V |
| R7046 | | | QUY153-050Y | IM BUS WIRE | | C110 | | | NDC31HJ-820X | CAPACITOR | 82pF,50V |
| B6 | | | NRSA63J-0R0X | MG RESISTOR | 0Ω,1/16W | C114 | | | NDC21HJ-181X | CAPACITOR | 180pF,50V |
| B17 | | | NRSA63J-0R0X | MG RESISTOR,J381EM | 0Ω,1/16W | C201 | | | QERF0JM-107 | E CAPACITOR | 100μF,6.3V |
| B201 | | | NRSA02J-0R0X | MG RESISTOR | 0Ω,1/10W | C202 | | | NCB21EK-223X | CAPACITOR | 0.022μF,25V |
| B2001 | | | QUY153-050Y | IM BUS WIRE | | C203 | | | QERF1HM-105 | E CAPACITOR | 1μF,50V |
| B2002 | | | QUY153-050Y | IM BUS WIRE | | C205 | | | NDC21HJ-101X | CAPACITOR | 100pF,50V |
| B3010 | | | NRSA02J-0R0X | MG RESISTOR | 0Ω,1/10W | C207 | | | NCF21CZ-105X | CAPACITOR | 1μF,16V |
| B5001 | | | QUY160-100Y | IM BUS WIRE | | C208 | | | NDC21HJ-101X | CAPACITOR | 100pF,50V |
| B5002 | | | QUY160-100Y | IM BUS WIRE | | C209 | | | NCB21HK-103X | CAPACITOR | 0.01μF,50V |
| B5301 | | | NRSA02J-0R0X | MG RESISTOR | 0Ω,1/10W | C210 | | | NCB21HK-222X | CAPACITOR | 0.0022μF,50V |
| B6020 | | | QUY160-075Y | IM BUS WIRE | | C211 | | | NCB21HK-103X | CAPACITOR | 0.01μF,50V |
| B6051 | | | NRSA02J-0R0X | MG RESISTOR | 0Ω,1/10W | C212 | | | NDC31HJ-271X | CAPACITOR | 270pF,50V |
| B7009 | | | NRSA02J-0R0X | MG RESISTOR | 0Ω,1/10W | C301 | | | NDC31HJ-151X | CAPACITOR,J387EM | 150pF,50V |
| C1 | | | NCB31CK-104X | CAPACITOR | 0.1μF,16V | C302 | | | QEK1HM-225 | E CAPACITOR,J387EM | 2.2μF,50V |
| C2 | | | NCB31CK-104X | CAPACITOR | 0.1μF,16V | C303 | | | NCB31HK-682X | CAPACITOR,J387EM | 0.0068μF,50V |
| C5 | | | QEK1CM-476 | E CAPACITOR | 47μF,16V | C304 | | | NCB31HK-682X | CAPACITOR,J387EM | 0.0068μF,50V |
| C6 | | | NCB11EK-104X | CAPACITOR | 0.1μF,25V | C305 | | | NCB31HK-103X | CAPACITOR,J387EM | 0.01μF,50V |
| C7 | | | NCB21HK-471X | CAPACITOR | 470pF,50V | C306 | | | QEK0JM-476 | E CAPACITOR,J387EM | 47μF,6.3V |
| C8 | | | NCB31CK-104X | CAPACITOR | 0.1μF,16V | C307 | | | NDC31HJ-151X | CAPACITOR,J387EM | 150pF,50V |
| C9 | | | NCB31EK-103X | CAPACITOR | 0.01μF,25V | C308 | | | NCB31HK-103X | CAPACITOR,J387EM | 0.01μF,50V |
| C10 | | | NDC31HJ-151X | CAPACITOR | 150pF,50V | C309 | | | NCB31EK-104X | CAPACITOR,J387EM | 0.1μF,25V |
| C11 | | | NCB31CK-104X | CAPACITOR | 0.1μF,16V | C310 | | | NCB31HK-103X | CAPACITOR,J387EM | 0.01μF,50V |
| C12 | | | NDC31HJ-470X | CAPACITOR | 47pF,50V | C311 | | | NCB31HK-103X | CAPACITOR,J387EM | 0.01μF,50V |
| C14 | | | NCB31CK-104X | CAPACITOR | 0.1μF,16V | C312 | | | NCB31HK-102X | CAPACITOR,J387EM | 0.001μF,50V |
| C15 | | | NCB31EK-103X | CAPACITOR | 0.01μF,25V | C313 | | | QERF1HM-474 | E CAPACITOR,J387EM | 0.47μF,50V |
| C16 | | | NCB31CK-104X | CAPACITOR | 0.1μF,16V | C314 | | | NCB31HK-471X | CAPACITOR,J387EM | 470pF,50V |
| C17 | | | QEKJ1HM-335 | E CAPACITOR | 3.3μF,50V | C315 | | | QERF1CM-106 | E CAPACITOR,J387EM | 10μF,16V |
| C18 | | | QEKJ1HM-105 | E CAPACITOR | 1μF,50V | C316 | | | NCB31HK-103X | CAPACITOR,J387EM | 0.01μF,50V |
| C19 | | | QEKJ1HM-225 | E CAPACITOR | 2.2μF,50V | C317 | | | NCB31HK-681X | CAPACITOR,J387EM | 680pF,50V |
| C20 | | | QEKJ1HM-105 | E CAPACITOR | 1μF,50V | C318 | | | NCB31EK-223X | CAPACITOR,J387EM | 0.022μF,25V |
| C21 | | | NCB31CK-104X | CAPACITOR | 0.1μF,16V | C319 | | | NCB30JK-105X | CAPACITOR,J387EM | 1μF,6.3V |
| C22 | | | QEKJ0JM-476 | E CAPACITOR | 47μF,6.3V | C320 | | | NCB31HK-103X | CAPACITOR,J387EM | 0.01μF,50V |
| C23 | | | NCB31CK-223X | CAPACITOR | 0.022μF,16V | C321 | | | NDC31HG-301X | CAPACITOR,J387EM | 300pF,50V |
| C24 | | | QCFB1HZ-104 | CAPACITOR | 0.1μF,50V | C322 | | | NCB31AK-474X | CAPACITOR,J387EM | 0.47μF,10V |
| C25 | | | NDC31HJ-5R0X | CAPACITOR | 5pF,50V | C901 | | | QETN0JM-477 | E CAPACITOR | 470μF,6.3V |
| C26 | | | NCB31CK-223X | CAPACITOR | 0.022μF,16V | C904 | | | NCB21EK-223X | CAPACITOR | 0.022μF,25V |
| C27 | | | NCB31EK-223X | CAPACITOR | 0.022μF,25V | C2001 | | | QEKJ1HM-475 | E CAPACITOR | 4.7μF,50V |
| C28 | | | QEKJ1HM-335 | E CAPACITOR | 3.3μF,50V | C2002 | | | QEKJ1HM-105 | E CAPACITOR | 1μF,50V |
| C29 | | | NCB31CK-333X | CAPACITOR | 0.033μF,16V | C2003 | | | QEKJ0JM-476 | E CAPACITOR | 47μF,6.3V |
| C30 | | | QEKJ1HM-474 | E CAPACITOR | 0.47μF,50V | C2005 | | | QEKJ1HM-475 | E CAPACITOR | 4.7μF,50V |
| C31 | | | QEKJ0JM-476 | E CAPACITOR | 47μF,6.3V | C2006 | | | NCB31EK-123X | CAPACITOR | 0.012μF,25V |
| C32 | | | QDYB1CM-103Y | CAPACITOR | 0.01μF,16V | C2007 | | | QEKJ1CM-226 | E CAPACITOR | 22μF,16V |
| C33 | | | QEKJ1HM-225 | E CAPACITOR | 2.2μF,50V | C2008 | | | QEKJ1HM-475 | E CAPACITOR | 4.7μF,50V |
| C34 | | | NCB21CK-224X | CAPACITOR | 0.22μF,16V | C2009 | | | NCB31HK-102X | CAPACITOR | 0.001μF,50V |
| C35 | | | NCB31EK-103X | CAPACITOR | 0.01μF,25V | C2010 | | | NCB31HK-222X | CAPACITOR | 0.0022μF,50V |
| C36 | | | QEKJ1EM-475 | E CAPACITOR | 4.7μF,25V | C2011 | | | QEKJ1HM-475 | E CAPACITOR | 4.7μF,50V |
| C37 | | | QEKJ1HM-105 | E CAPACITOR | 1μF,50V | C2012 | | | QEKJ1HM-475 | E CAPACITOR | 4.7μF,50V |
| C38 | | | QEKJ0JM-476 | E CAPACITOR | 47μF,6.3V | C2051 | | | QCB1HK-331 | CAPACITOR | 330pF,50V |
| C39 | | | NCB31CK-223X | CAPACITOR | 0.022μF,16V | C2052 | | | QFN31HJ-823 | F CAPACITOR | 0.082μF,50V |
| C40 | | | QEKJ1CM-106 | E CAPACITOR | 10μF,16V | C2053 | | | NCB21HK-472X | CAPACITOR | 0.0047μF,50V |
| C54 | | | NCB31EK-103X | CAPACITOR | 0.01μF,25V | C2054 | | | NCB21EK-223X | CAPACITOR | 0.022μF,25V |
| C62 | | | NCB31CK-104X | CAPACITOR | 0.1μF,16V | C2055 | | | QEKJ1EM-106 | E CAPACITOR | 10μF,25V |
| C64 | | | NDC31HJ-220X | CAPACITOR | 22pF,50V | C3001 | | | NCB21EK-223X | CAPACITOR | 0.022μF,25V |
| C65 | | | QEKJ1HM-105 | E CAPACITOR | 1μF,50V | C3003 | | | QEKJ1CM-106 | E CAPACITOR | 10μF,16V |
| C79 | | | NDC31HJ-390X | CAPACITOR,J387EM | 39pF,50V | C3004 | | | NDC31HJ-101X | CAPACITOR | 100pF,50V |
| C81 | | | NCB31EK-103X | CAPACITOR | 0.01μF,25V | C3008 | | | NCB21HK-103X | CAPACITOR | 0.01μF,50V |
| C94 | | | NCB31HK-103X | CAPACITOR,J387EM | 0.01μF,50V | C3013 | | | QEKJ1CM-106 | E CAPACITOR | 10μF,16V |
| C95 | | | NCB31HK-103X | CAPACITOR,J387EM | 0.01μF,50V | C3015 | | | NCB21HK-222X | CAPACITOR | 0.0022μF,50V |
| C106 | | | NCB31HK-821X | CAPACITOR | 820pF,50V | C3016 | | | NDC21HJ-180X | CAPACITOR | 18pF,50V |
| C108 | | | NDC31HJ-680X | CAPACITOR | 68pF,50V | C3017 | | | NDC21HJ-270X | CAPACITOR | 27pF,50V |

| # | △ REF No. | PART No. | PART NAME, DESCRIPTION | # | △ REF No. | PART No. | PART NAME, DESCRIPTION |
|---|-----------|----------|--------------------------------------|---|-----------|----------|--|
| | | C3018 | QAT3725-300Z TRIM CAPACITOR | | | L24 | QQL231J-270Y COIL 27μH |
| | | C3019 | NDC21HJ-3R0X CAPACITOR 3pF,50V | | | L27 | QQL231J-330Y COIL 33μH |
| | | C3020 | NDC21HJ-180X CAPACITOR 18pF,50V | | | L28 | QQL231J-680Y COIL 33μH |
| | | C3022 | NCB21HK-103X CAPACITOR 0.01μF,50V | | | L201 | QUY153-050Y IM BUS WIRE |
| | | C3023 | NCF21CZ-105X CAPACITOR 1μF,16V | | | L203 | QQL231J-4R7Y COIL 4.7μH |
| | | C3028 | QETNOJM-108 E CAPACITOR 1000μF,6.3V | | | L204 | QUY153-050Y IM BUS WIRE |
| | | C3035 | NCB31EK-223X CAPACITOR 0.022μF,25V | | | L301 | QQL29BJ-100Z COIL,J387EM 10μH |
| | | C3036 | QERF0JM-107 E CAPACITOR 100μF,6.3V | | | L302 | QQL231J-6R8Y COIL,J387EM 6.8μH |
| | | C3042 | NDC21HJ-101X CAPACITOR 100pF,50V | | | L303 | QQL231J-270Y COIL,J387EM 27μH |
| | | C3049 | NCB21HK-103X CAPACITOR 0.01μF,50V | | | L901 | QQL29BJ-100Z COIL 10μH |
| | | C3050 | NCB21HK-103X CAPACITOR 0.01μF,50V | | | L2001 | QUY153-050Y IM BUS WIRE |
| | | C3052 | NCB21HK-103X CAPACITOR 0.01μF,50V | | | L5201 | PELN1184 COIL 33μH |
| | | C3053 | QDYB1CM-103Y CAPACITOR 0.01μF,16V | | | L5202 | PELN1184 COIL 33μH |
| | | C4001 | NCB21EK-104X CAPACITOR 0.1μF,25V | | | L6001 | QQL29BJ-100Z COIL 10μH |
| | | C4002 | QERF1HM-105 E CAPACITOR 1μF,50V | | | L6002 | QQL29BJ-470Z COIL 47μH |
| | | C4004 | QERF1AM-336 E CAPACITOR 33μF,10V | | | L6032 | QUY153-050Y IM BUS WIRE |
| | | C4006 | NCB21EK-563X CAPACITOR 0.056μF,25V | | | L7111 | NRSA02J-0R0X MG RESISTOR 0Ω,1/10W |
| | | C4007 | NCB21HK-103X CAPACITOR 0.01μF,50V | | | L7112 | QUY160-100Y IM BUS WIRE |
| | | C4009 | NCB21HK-102X CAPACITOR 0.001μF,50V | | | X1 | QAX0576-001 CRYSTAL RESONATOR |
| | | C4010 | QERF0JM-476 E CAPACITOR 47μF,6.3V | | | X2 | QAX0575-001 CRYSTAL RESONATOR |
| | | C4011 | NCB21CK-224X CAPACITOR 0.22μF,16V | | | X3001 | QAX0526-001Z CRYSTAL RESONATOR |
| | | C4014 | NDC21HJ-101X CAPACITOR 100pF,50V | | | X3002 | QAX0444-001 CRYSTAL RESONATOR |
| | | C4015 | NDC21HJ-101X CAPACITOR 100pF,50V | | | S3001 | QSW0602-004 PUSH SWITCH,REC.SAFETY |
| | | C4019 | NCB21HK-103X CAPACITOR 0.01μF,50V | | | S7004 | QSW0456-002Z TACT SWITCH,REW/CH- |
| | | C4022 | NDC21HJ-101X CAPACITOR 100pF,50V | | | S7006 | QSW0456-002Z TACT SWITCH,FF/CH+ |
| △ | | C5001 | QFZ9073-683 F CAPACITOR 0.068μF,250V | | | S7010 | QSW0456-002Z TACT SWITCH,PLAY |
| △ | | C5004 | QCZ9071-222 CAPACITOR 0.0022μF,250V | | | S7016 | QSW0456-002Z TACT SWITCH,POWER |
| | | C5006 | QEZO424-686 E CAPACITOR 68μF,400V | | | S7017 | QSW0456-002Z TACT SWITCH,SOTP/EJECT |
| | | C5101 | QCZ0212-472 CAPACITOR 0.0047μF,1kV | | | S7018 | QSW0456-002Z TACT SWITCH,REC |
| | | C5102 | QCZ0339-101Z CAPACITOR 100pF,1kV | | | S7019 | QSW0456-002Z TACT SWITCH,PAUSE/CH |
| | | C5104 | QEKJ1HM-105 E CAPACITOR 1μF,50V | | | K5101 | QQR0678-001Z FERRITE BEAD |
| | | C5105 | QFN31HJ-183 F CAPACITOR 0.018μF,50V | | | K5102 | QUY153-050Y IM BUS WIRE |
| | | C5106 | QCBB1HJ-271 CAPACITOR 270pF,50V | | | PC3001 | GP3S123 IC(PHOTO SENSOR) |
| | | C5107 | QFV11HJ-104 F CAPACITOR 0.1μF,50V | | | PC3002 | GP3S123 IC(PHOTO SENSOR) |
| | | C5202 | QEMT1CM-687 E CAPACITOR 680μF,16V | | △ | PC5101 | PS2561L1-1/WL/ IC(PHOTO COUPLER) |
| | | C5203 | QEMT1AM-687 E CAPACITOR 680μF,10V | | | T2051 | PELN0832 OSC TRANSFORMER |
| | | C5204 | QETJ2AM-475 E CAPACITOR 4.7μF,100V | | △ | T5001 | QQS0083-001 SW TRANSFORMER |
| | | C5206 | QEKJ1CM-476 E CAPACITOR 47μF,16V | | | TU6001 | QAU0212-001 TUNER |
| | | C5207 | QEKJ1CM-107 E CAPACITOR 100μF,16V | | △ | TB1 | LP21035-003A TERMINAL BOARD |
| | | C5301 | QEKJ1CM-107 E CAPACITOR 100μF,16V | | | DI7001 | LTG-Y2K16M-J LE DIODE |
| | | C5302 | QEK1EM-106 E CAPACITOR 10μF,25V | | | ET1 | LP30859-001A EARTH PLATE |
| | | C5303 | QEKJ1CM-107 E CAPACITOR 100μF,16V | | | HS1 | LP40090-001A HEAT SINK,Q5101 |
| | | C5304 | QFLC1HJ-102Z F CAPACITOR 0.001μF,50V | | | SD1 | LP20990-001A SHEILD PLATE |
| | | C5305 | QFV91HJ-154 F CAPACITOR 0.15μF,50V | | | OT1 | QYTDST3006Z SCREW,Q5101 |
| | | C6007 | QEKCOJM-227 E CAPACITOR 220μF,6.3V | | | J1 | QNN0292-002 PIN JACK,A/V IN |
| | | C6012 | QETJ1CM-107 E CAPACITOR 100μF,16V | | | J2 | QNN0292-002 PIN JACK,A/V OUT |
| | | C6014 | NCB21HK-103X CAPACITOR 0.01μF,50V | | | FC5001 | QNG0006-001Z FUSE CLIP,F5001 |
| | | C6023 | NRSA02J-0R0X MG RESISTOR 0Ω,1/10W | | | FC5002 | QNG0006-001Z FUSE CLIP,F5001 |
| | | C6031 | QEKJ1EM-106 E CAPACITOR 10μF,25V | | | FW7106 | QUM022-18A4A4 P.R.WIRE,LT BATTERY |
| | | C6519 | NCB21HK-152X CAPACITOR 0.0015μF,50V | | △ | LF5002 | QQR0532-001 LINE FILTER |
| | | C7013 | NCB21HK-103X CAPACITOR 0.01μF,50V | | | CN1 | QGF1028C3-04 FPC CONNECTOR,(5-8)UPPER DRUM |
| | | C7014 | NCB21HK-103X CAPACITOR 0.01μF,50V | | | CN2001 | QGF1207C1-07 FPC CONNECTOR,(1-7)A/C HEAD |
| | | C7041 | QEKJ0JM-227 E CAPACITOR 220μF,6.3V | | | CN2002 | QGB2532J1-02 CONNECTOR,(1-2)FE HEAD |
| | | L1 | QQL29BJ-100Z COIL 10μH | | | CN3001 | QGB2015M2-08 CONNECTOR,(1-8)CAPSTAN MOTOR |
| | | L2 | QUY153-050Y IM BUS WIRE | | | CN3002 | QGF1207C1-05 FPC CONNECTOR,(1-5)DRUM MDA |
| | | L3 | QQL29BJ-100Z COIL 10μH | | | CN3003 | QGB2532J1-02 CONNECTOR,(1-2)LOADING MOTOR |
| | | L4 | QQL29BJ-100Z COIL 10μH | | | CN3004 | QGB2534J2-04 CONNECTOR,(1-4)ROTARY ENCODER |
| | | L5 | QQL29BJ-100Z COIL 10μH | | △ | CN5001 | QGA7901C3-02 CONNECTOR,(1-2)AC IN |
| | | L11 | QQL01BJ-120Z COIL 12μH | | △ | CP4001 | ICP-N25 CIRCUIT PROTECTOR |
| | | L13 | QQL231J-330Y COIL 33μH | | △ | CP5302 | ICP-N25 CIRCUIT PROTECTOR |
| | | L14 | QQL231J-101Y COIL,J387EM 100μH | | △ | F5001 | QMF51E2-2R0J1 FUSE T2.0A,AC250V |

REF No. PART No. PART NAME, DESCRIPTION

A/C HEAD BOARD ASSEMBLY <12>

| | | |
|-----|--------------|---------------------|
| PW1 | LP10122-01A1 | A/C HEAD BOARD ASSY |
| CN1 | QGF1208F1-07 | FPC CONNECTOR |

LOADING MOTOR BOARD ASSEMBLY <55>

| | | |
|-----|--------------|--------------------------|
| PW2 | LP10122-01A2 | LOADING MOTOR BOARD ASSY |
| CN1 | QGB2533K1-02 | CONNECTOR |

LT BATTERY BOARD ASSEMBLY <93>

| | | |
|--------|---------------|------------------------|
| PW4 | LPA10130-01A4 | LT. BATTERY BOARD ASSY |
| BT3001 | QNZ0032-001 | BATTERY HOLDER |

REF No. PART No. PART NAME, DESCRIPTION
